



How to hand-in/stack non-functional material

CC Container base, post and shelf



Content of this document

This document contains the stacking instructions for the original non-functional CC Container base, post and shelf.

Index

- Hand-in CC Container non-functional base, post and shelf
- How to stack non-functional CC Container bases
- How to stack non-functional CC Container posts
- How to stack non-functional CC Container shelves

Please note:

- A valid LogLink number is needed, including the status of the material (functional or non-functional). The LogLink order must match with the actual material that is presented at the depot.
- Always separate functional and non-functional material; do not stack intermixed.
- If material is not stacked according to the stacking rules in this document, CC must refuse the stack, or charge a fee for sorting the material.
- In case of issues at a depot that cannot be solved on the spot, it is the responsibility of the customer to contact the CC head office.

We want to remind you that all the stacking instructions apply to the original CC material. These stacking instructions are established according to the guidelines in the Health and Safety Act at work. These guidelines do not apply for the non-original CC material.



Hand-in CC Container non-functional base, post and shelf

Check if every CC Container base has a readable CC TAG5, a CC-metal plate and a hook. A CC Container base without a readable CC TAG5, without a CC-metal plate or without a hook will be refused at all times.

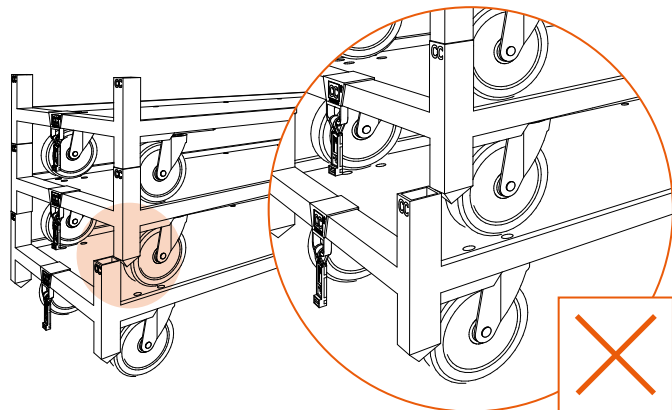


How to stack non-functional CC Container bases

Step 1: Remove the posts from the base.

Step 2: Make sure the bottom base is able to carry the weight and stack the bases to a maximum of 10 bases.

- All CC TAG5's should be on the same side.
- Make sure the pyramids of the corners of the base fit right in the corner guides, if not, the base is unstable and impossible to move safely.
- If a base is impossible to stack, place the base upside down on a stack with non-functional shelves.



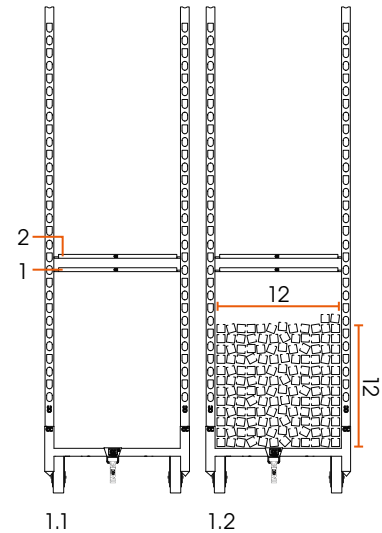
Please note:

When you stack non-functional bases, always stack the posts separately.



How to stack non-functional CC Container posts

- Step 1:** Put 4 functional posts in a functional base.
- Step 2:** Place 2 functional shelves to strengthen the stack. (1.1)
- Step 3:** Stack 146 loose non-functional posts on the base. Use the 12 x 12 + 2 rule. Place 12 posts horizontal and 12 rows of posts vertical. Put 2 extra non-functional posts on top. (1.2) Use this method to make the stack easy countable. If the stack is not countable, the stack will be refused .



How to stack non-functional CC Container shelves

- Step 1:** Put 4 functional posts in a functional base.
- Step 2:** Stack the shelves from bottom to top. Stack up to a maximum of 30 non-functional shelves.

