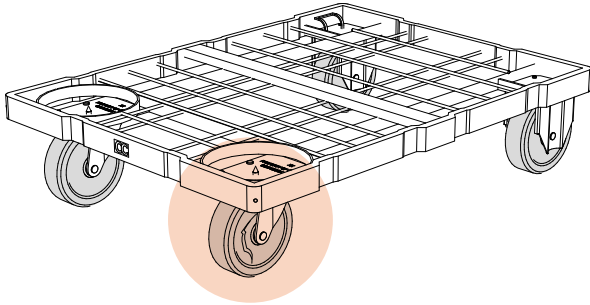


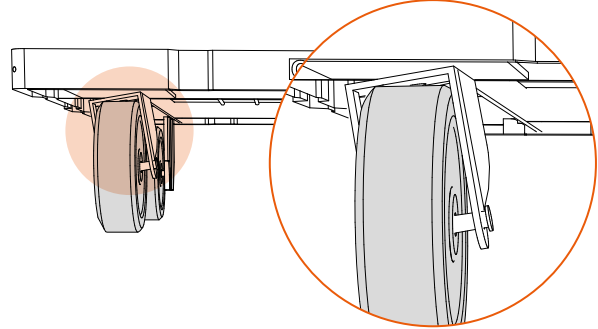


When is the CC Low Noise Rolly non-functional?

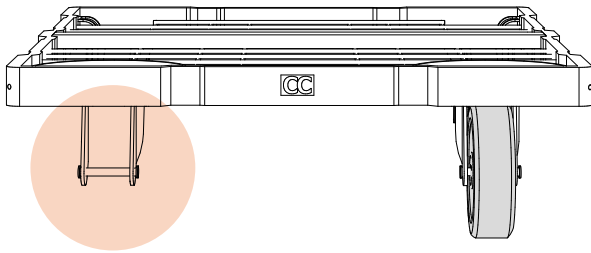
01 The wheel is torn.



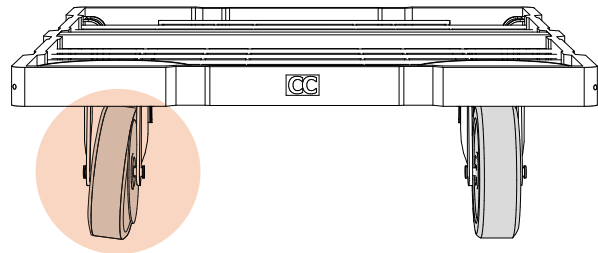
02 Wheel castor has come loose from the base.



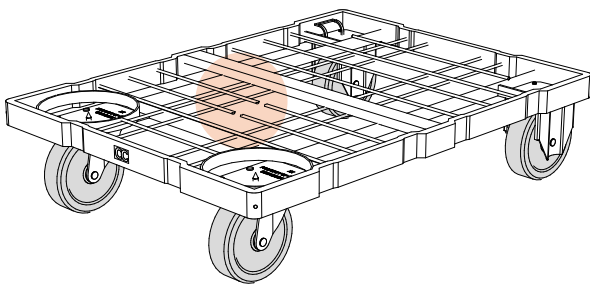
03 Wheel is missing or hanging.



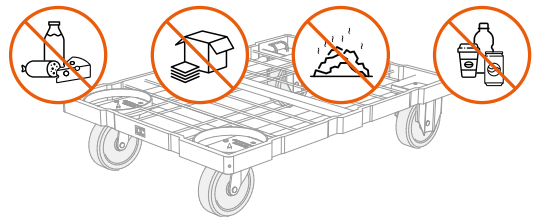
04 Wheel cannot turn or the steering wheel cannot turn easily around its axis.



05 Wires/tube frame is broken.



Please note: Base is too dirty. Make sure that hygienic use is possible and the base is free from: perishable commodity, dirt, packaging materials and waste.



When will a stack be refused?

- When the CC Rolly and CC Low Noise Rolly are stacked together in one stack;
- When the swivel wheels are not all on the same side;
- When functional material and non-functional material are stacked together in one stack;
- When a wheel is wrapped with plastic foil, tape, rope etc.

