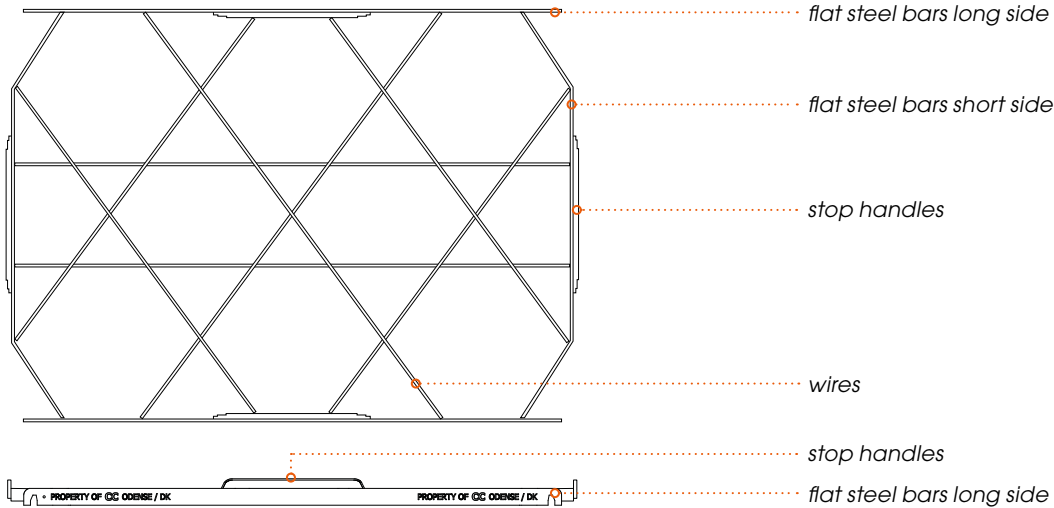




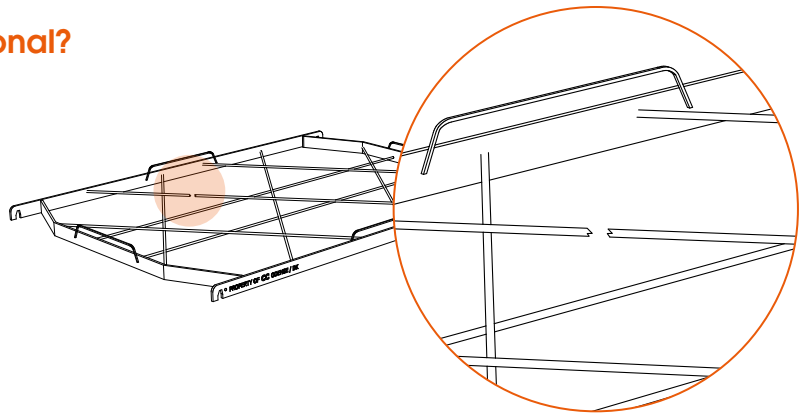
# Instruction functional/non-functional CC Eurocontainer shelf



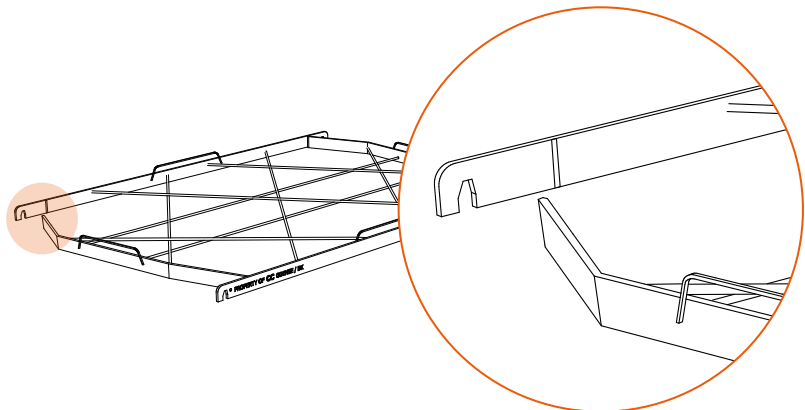
Non-functional shelves can be handed in at a CC depot or partner depot for repair and exchanged for a functional shelf.

## When is a shelf non-functional?

01 One or more wires are broke or loose from the welding.



02 Flat steel bar has broken off.

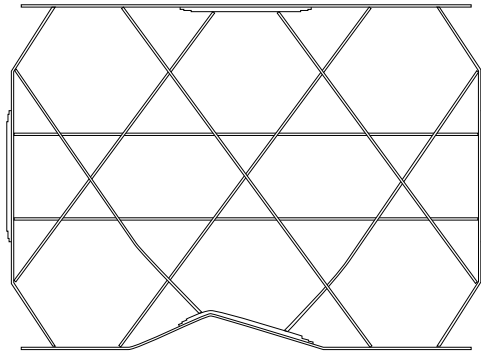




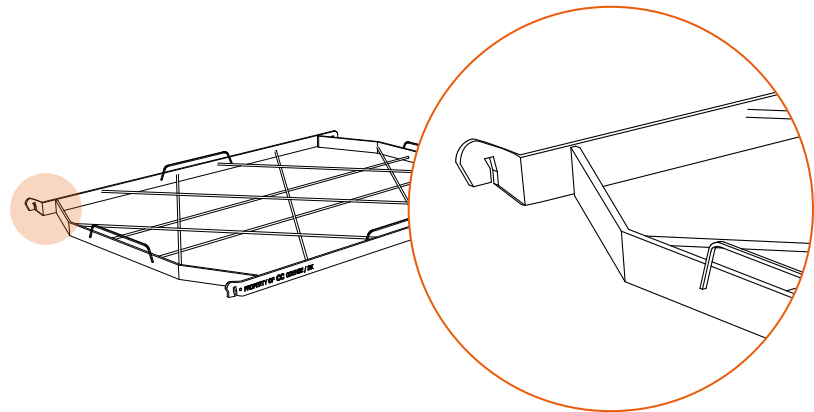
## When is a shelf non-functional?

(continued)

- 03 The shelf is dented / crooked.



- 04 The hooks of the shelf are so crooked that stacking according to the stacking instructions is not possible.



## When is a shelf not accepted for exchange?

Shelves cannot be handed in at a CC depot or partner depot for repair or exchanged for a functional shelf when:

- The shelf is functional.
- The flat steel bar on the long side has no CC Odense marking.