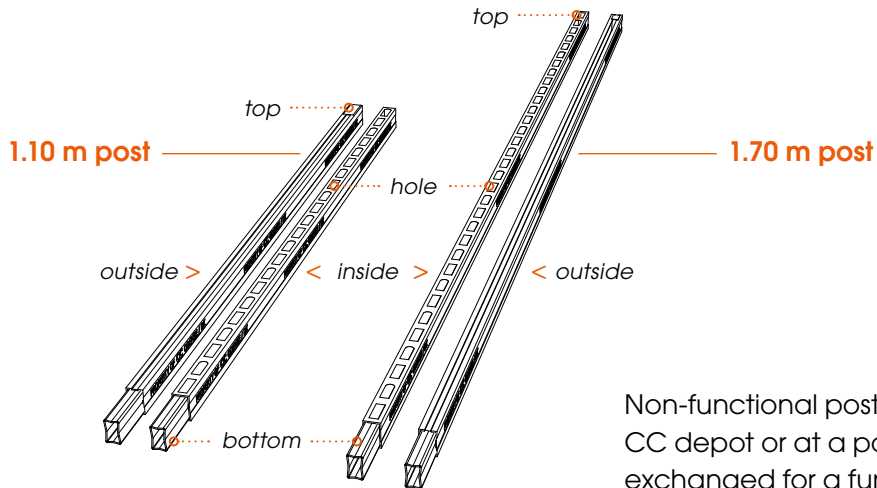




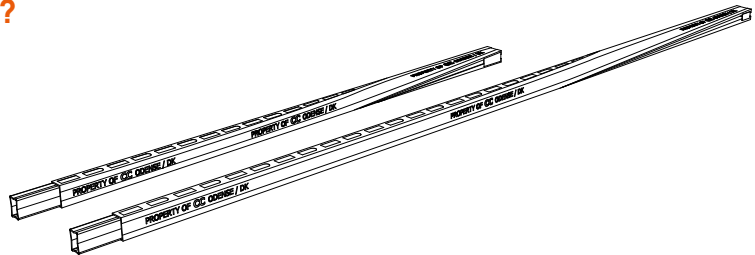
# Instruction functional/non-functional CC Eurocontainer posts



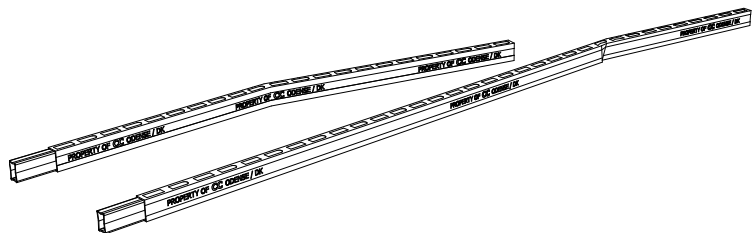
Non-functional posts can be handed in at a CC depot or at a partner depot for repair and exchanged for a functional posts.

## When is a post non-functional?

01 Posts are twisted and shelves cannot be mounted.



02 Posts are bent and shelves cannot be mounted.



## When is a post not accepted for exchange?

Posts cannot be handed in at a CC depot or partner depot for repair and exchanged for a functional post when:

- The post is functional.
- The 1.10 m post has < 22 holes or > 22 holes.
- The 1.70 m post has < 33 holes.
- Posts have holes on more sides.