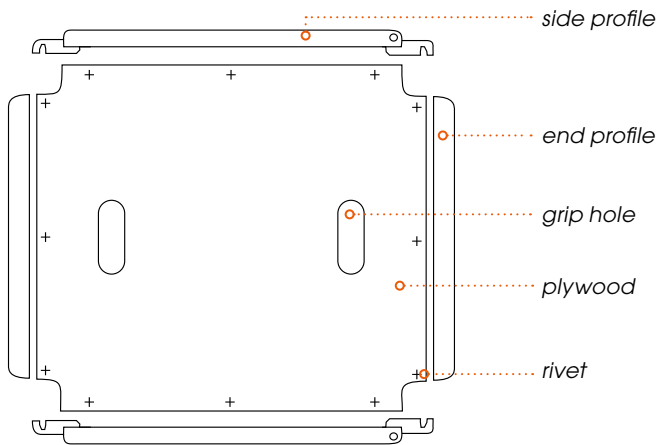




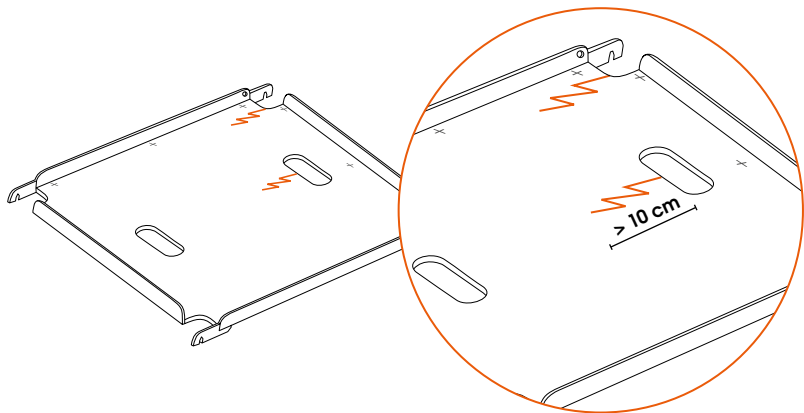
Instruction functional/non-functional CC Halfcontainer wooden shelf



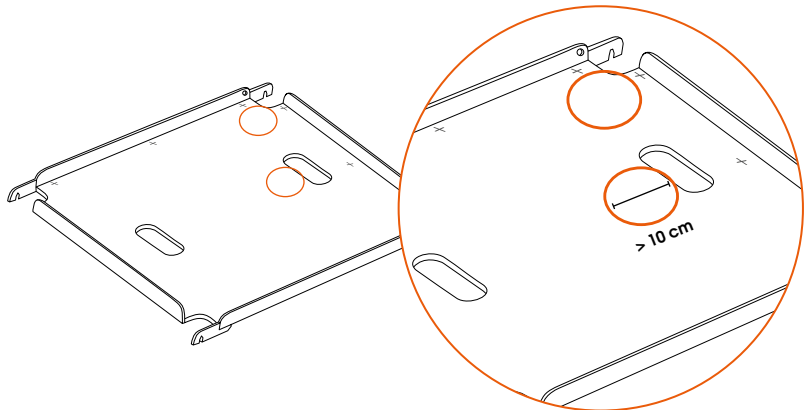
Non-functional shelves can be handed in at a CC depot or partner depot for repair and exchanged for a functional shelf.

When is a shelf non-functional?

- 01 The shelf has a crack larger than 10 cm.



- 02 The shelf has a hole with a diameter larger than 10 cm.

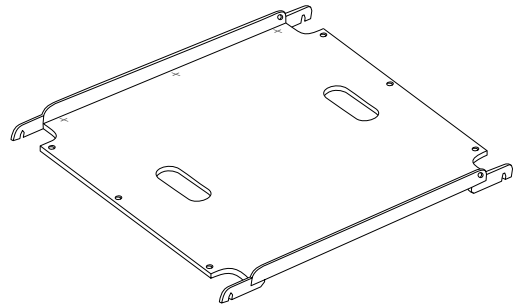




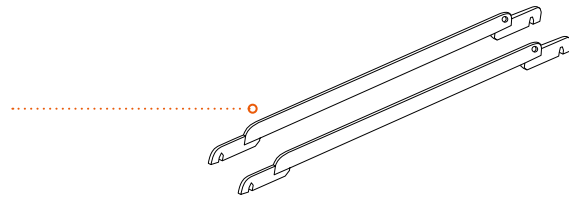
When is a shelf non-functional?

(continued)

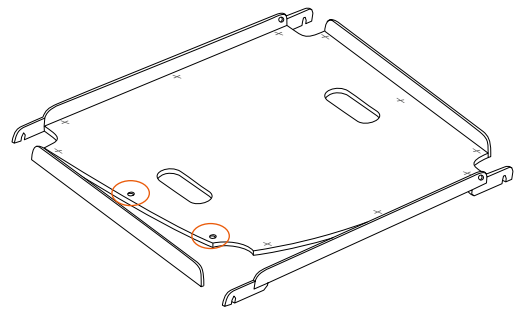
- 03 One or both end profiles are missing.



- 04 Plywood and end profiles are missing.
Two side profiles can be exchanged for a functional shelf.



- 05 The middle rivet and an adjacent rivet are detached.



When is a shelf not accepted for exchange?

Shelves can not be handed in at a CC depot or partner depot for repair or exchanged for a functional shelf when:

- The shelf is functional.
- The shelf is not made out of plywood.
- The profiles of the shelf exceed the width of a standard CC profile.
- Side profiles can not be re-used for repair. This is the case when the profile is rusted, thinner than 6.5 mm or doesn't have any rivet holes.