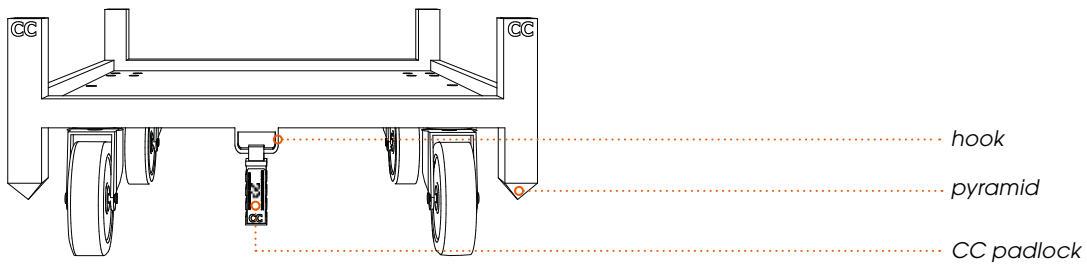
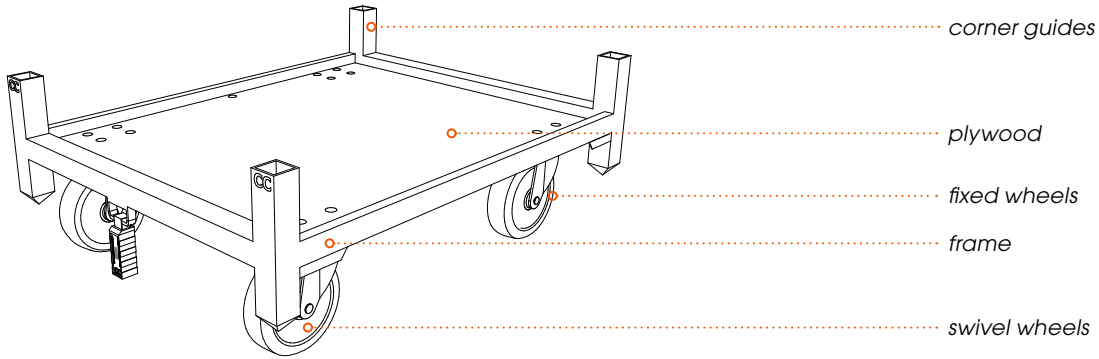




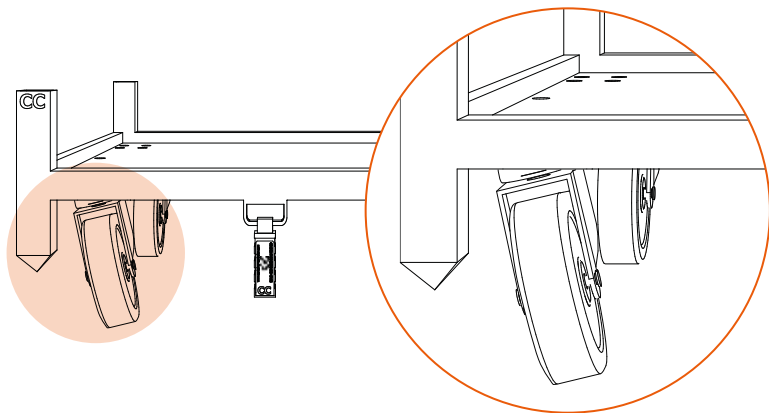
# Instruction functional/non-functional CC Halfcontainer base



Non-functional bases can be handed in at a CC depot or partner depot for repair and exchanged a for functional bases.

## When is a base non-functional?

- 01 Wheel is missing or hanging.

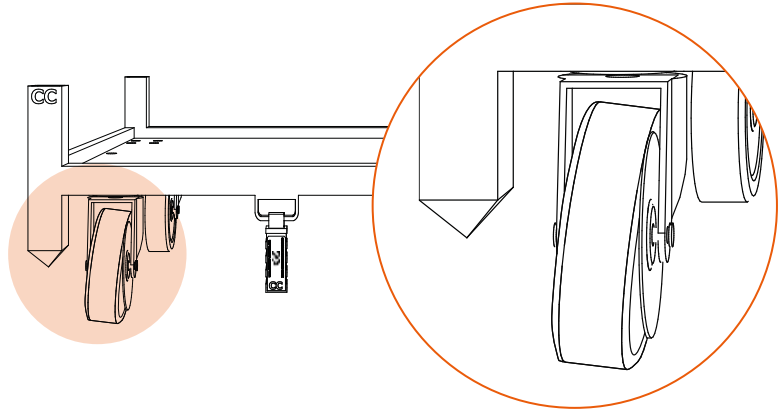




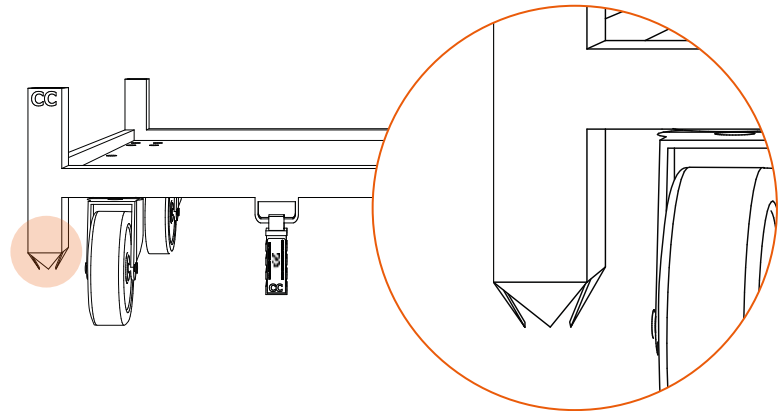
## When is a base non-functional?

(continued)

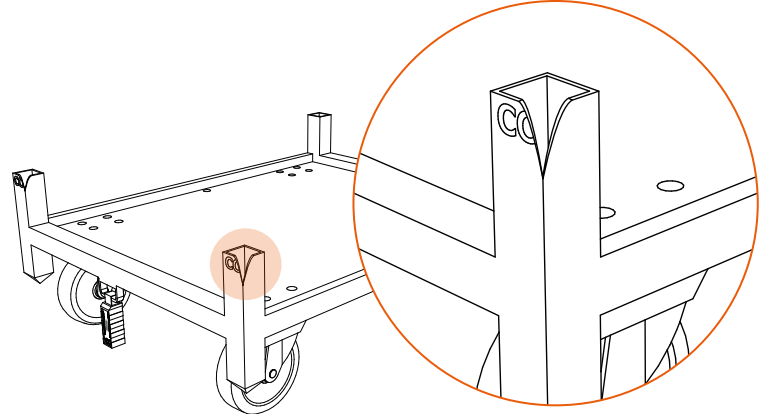
- 02 Wheel cannot turn or the steering wheel cannot turn easily around its axis.



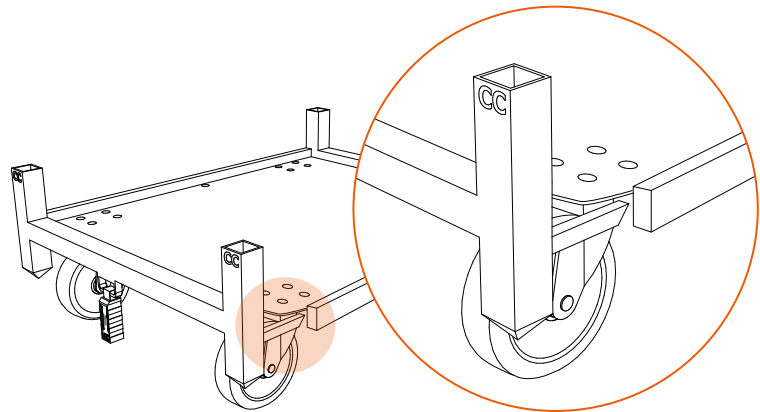
- 03 Pyramid damaged, stacking according to the stacking instructions is not possible.



- 04 Corner guides damaged, stacking according to the stacking instructions is not possible.



- 05 Frame is broken.

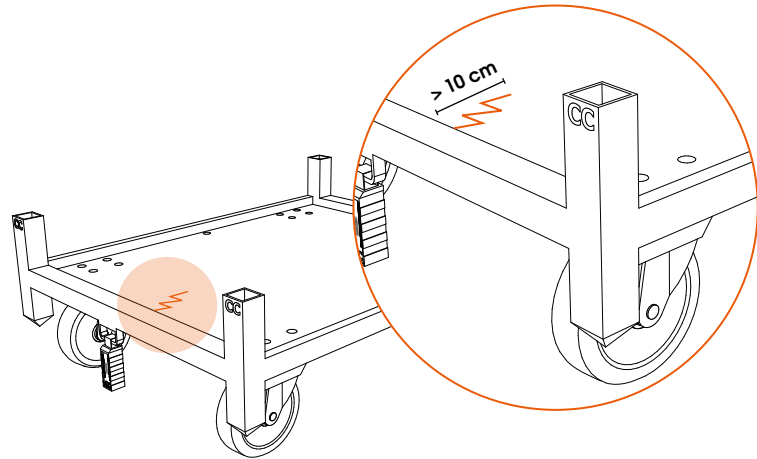




## When is a base non-functional?

(continued)

- 06 The plywood shelf has a crack/hole larger than 10 cm.



## When is a base not accepted for exchange?

Bases cannot be handed in at a CC depot or partner depot for repair and exchanged for a functional base when:

- The base is functional.  
**Please note:** a base is still considered to be functional when a wheel is wrapped with plastic foil, tape, rope etc.
- Purple CC padlock is not readable by scanner or is missing.
- The hook is missing.