



# How to hand-in/stack non-functional material

## CC Halfcontainer base, post and shelf



### Content of this document

This document contains the stacking instructions for the original non-functional CC Halfcontainer base, post and shelf.

### Index

- Hand-in CC Halfcontainer non-functional base, post and shelf
- How to stack non-functional CC Halfcontainer bases
- How to stack non-functional CC Halfcontainer posts
- How to stack non-functional CC Halfcontainer shelves

Please note:

- A valid LogLink number is needed, including the status of the material (functional or non-functional). The LogLink order must match with the actual material that is presented at the depot.
- Always separate functional and non-functional material; do not stack intermixed.
- If material is not stacked according to the stacking rules in this document, CC must refuse the stack, or charge a fee for sorting the material.
- In case of issues at a depot that cannot be solved on the spot, it is the responsibility of the customer to contact the CC head office.

We want to remind you that all the stacking instructions apply to the original CC material. These stacking instructions are established according to the guidelines in the Health and Safety Act at work. These guidelines do not apply for the non-original CC material.



## Hand-in CC Halfcontainer non-functional base, post and shelf

Check if every CC Halfcontainer base has a readable purple padlock and a hook. A CC Halfcontainer base without a readable purple padlock or without a hook will be refused at all times.

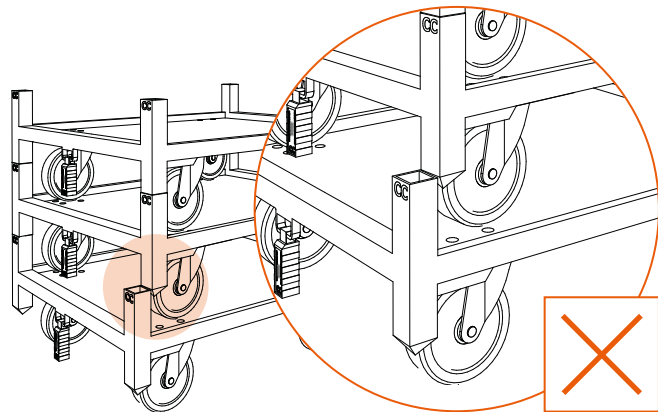


## How to stack non-functional CC Halfcontainer bases

**Step 1:** Remove the posts from the base.

**Step 2:** Make sure the bottom base is able to carry the weight and stack up the bases to a maximum of 10 bases.

- All padlocks should be on the same side.
- Make sure the pyramids of the corners of the base fit right in the corner guides, if not, the base is unstable and impossible to move safely.
- If a base is impossible to stack, place the base upside down on a stack with non-functional shelves.



Please note:

When you stack non-functional bases, always stack the posts separately.

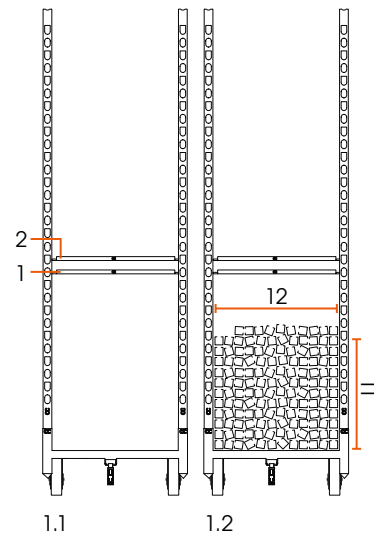
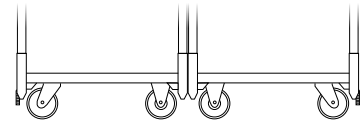


## How to stack non-functional CC Halfcontainer posts

- Step 1:** Take 2 CC Halfcontainers.
- Step 2:** Put 4 functional posts in each CC Halfcontainers. That is 8 posts in total.
- Step 3:** Put the back sides of the CC Halfcontainers against each other, so the CC readable padlock are sticking out on both sides.
- Step 4:** Place 2 functional CC Halfcontainers shelves on each stack to strengthen the stack. In total that is 4 shelves. (1.1)
- Step 5:** Stack 142 loose non-functional posts on the base. Use the 12 x 11 + 10 rule. Place 12 posts horizontal and 11 rows of posts vertical. Put 10 extra non-functional posts on top. (1.2) Use this method to make the stack easy countable. If the stack is not countable, the stack will be refused.

Please note:

it is possible to stack the non-functional posts on 1 CC Container base; check the stacking instructions for the CC Container.



## How to stack non-functional CC Halfcontainer shelves

- Step 1:** Put 4 functional posts in a functional base.
- Step 2:** Stack the shelves from bottom to top. Stack up to a maximum of 30 non-functional shelves.

