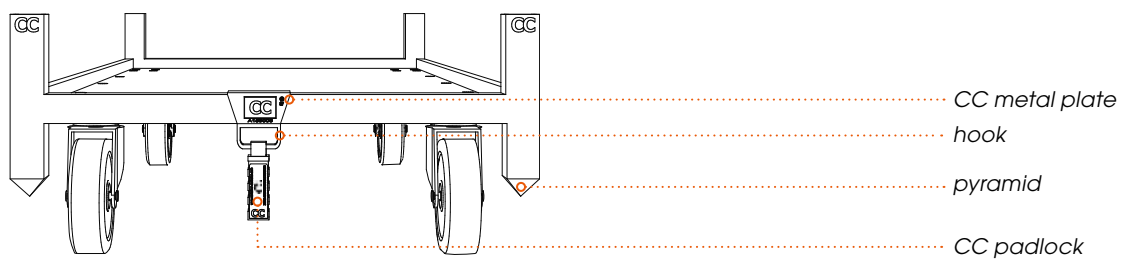
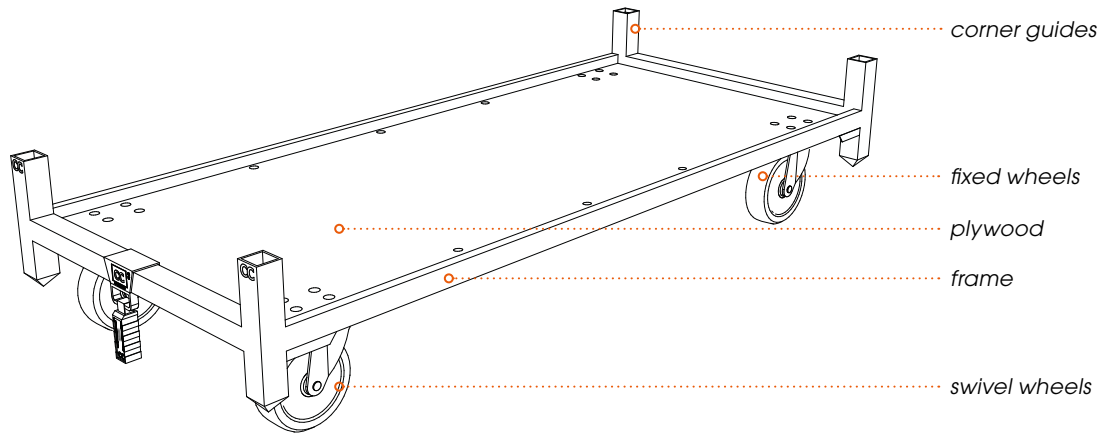




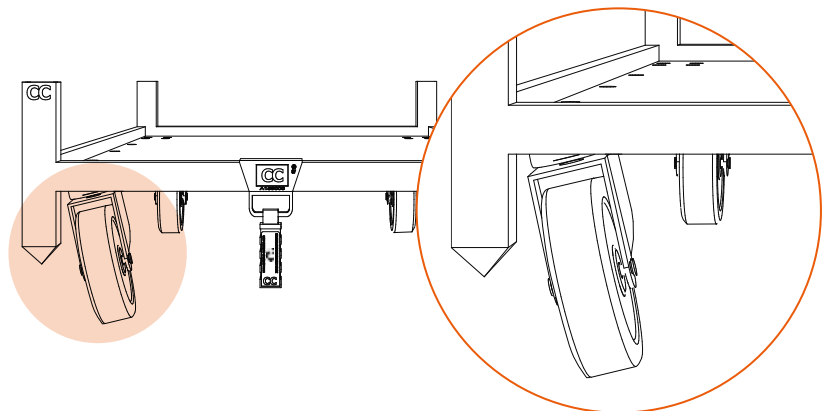
Instruction functional/non-functional CC Container base



Non-functional bases can be handed in at a CC depot or partner depot for repair and exchanged for functional bases.

When is a base non-functional?

- 01 Wheel is missing or hanging.

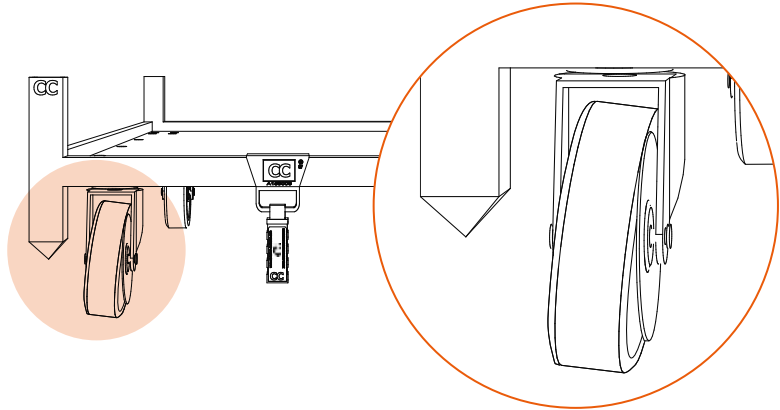




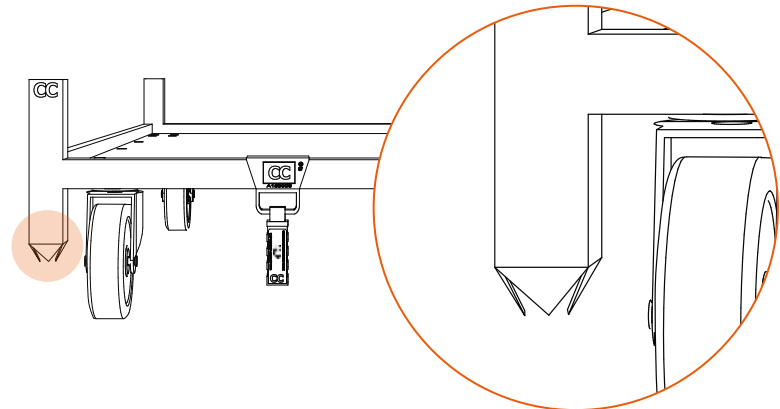
When is a base non-functional?

(continued)

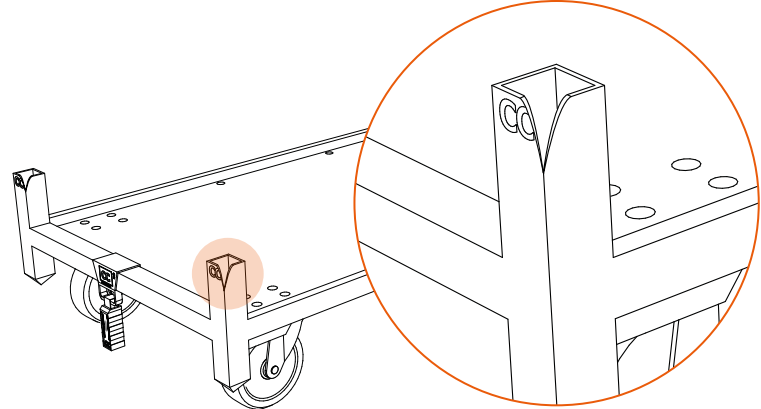
- 02 Wheel cannot turn or the steering wheel cannot turn easily around its axis.



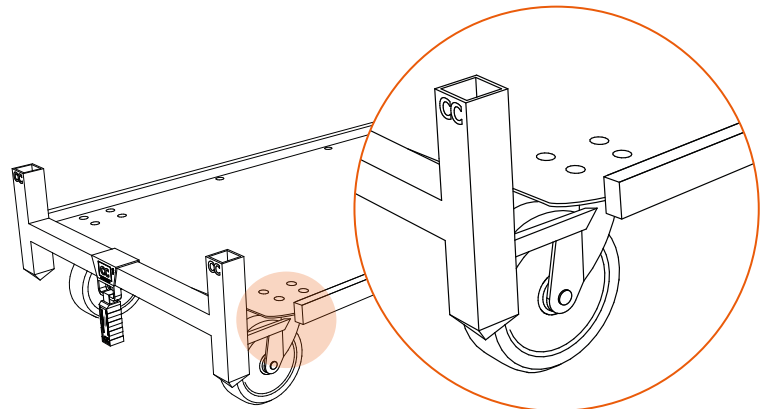
- 03 Pyramid damaged, stacking according to the stacking instructions is not possible.



- 04 Corner guides damaged, stacking according to the stacking instructions is not possible.



- 05 Frame is broken.

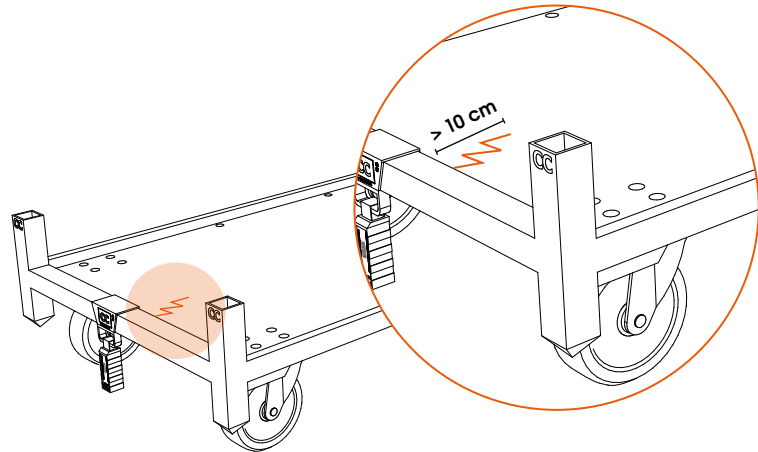




When is a base non-functional?

(continued)

- 06 The plywood shelf has a crack/hole larger than 10 cm.



When is a base not accepted for exchange?

Bases cannot be handed in at a CC depot or partner depot for repair and exchanged for a functional base when:

- The base is functional.
Please note: a base is still considered to be functional when a wheel is wrapped with plastic foil, tape, rope etc.
- The base has not been used according to the instructions of the SOP and/or is damaged in such a way that repairs are no longer possible. Abused material is not taken back by CC.
- CC padlock is not readable or is missing.
- The CC metal plate is missing.
- The hook is missing.