



# How to hand-in/stack functional material

## CC Container base, post and shelf



### Content of this document

This document contains the stacking instructions for the original functional CC container base, post and shelf.

### Index

- Hand-in CC Container base, post and shelf
- How to stack a functional CC Container base and posts
- How to stack functional CC Container posts separated
- How to stack functional CC Container shelves

Please note:

- A valid LogLink number is needed, including the status of the material (functional or non-functional). The LogLink order must match with the actual material that is presented at the depot.
- Always separate functional and non-functional material; do not stack intermixed.
- If material is not stacked according to the stacking rules in this document, CC must refuse the stack, or charge a fee for sorting the material.
- In case of issues at a depot that cannot be solved on the spot, it is the responsibility of the customer to contact the CC head office.

We want to remind you that all the stacking instructions apply to the original CC material. These stacking instructions are established in accordance with the guidelines in the Health and Safety Act. Non-genuine material is not included in the scope of this document.



## Hand-in CC Container base, post and shelf

Check if every CC Container base has on the front side a genuine CC identification marked padlock, a CC-metal plate and a hook. A CC Container base without a readable padlock, without a CC-metal plate or without a hook will be refused at all times.



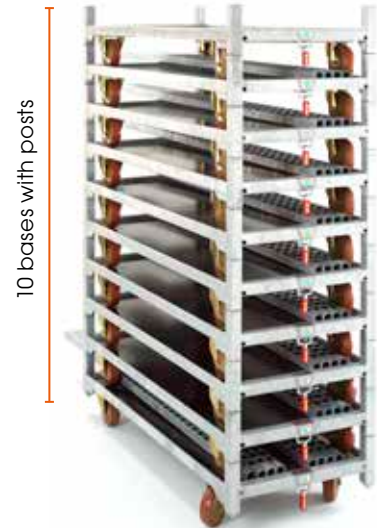
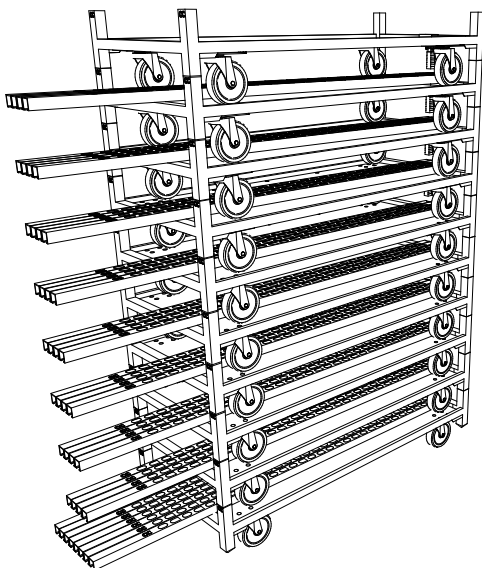
## How to stack a functional CC Container base and posts

**Step 1:** Remove the posts from the base.

**Step 2:** Stack up the bases.

### Option 1: Stack the bases with the posts

Stack the bases up to a maximum of 10 bases. All padlocks should be on the same side. If a stack does not have all padlocks on the same side, the stack is not easy countable, cannot be processed and will be refused.



10 bases with posts

Stack 8 posts on the bottom base.  
Stack 4 posts on the following bases.  
Do not stack posts on the top base.



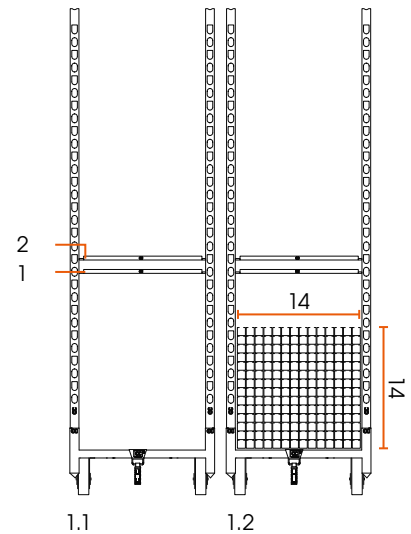
### Option 2: Stack the bases without the posts

Stack the bases up to a maximum of 15 bases to maintain stability. All readable padlocks should be on the same side. If a stack does not have all padlocks on the same side, the stack is not countable, cannot be processed and will be refused.



### How to stack functional CC Container posts separated

- Step 1: Put 4 functional posts in a functional base.
- Step 2: Place 2 functional shelves to strengthen the stack. (1.1)
- Step 3: Stack 196 loose functional posts on the base. Use the 14 x 14 rule. Place 14 posts horizontal on the base and 14 rows of posts vertical. (1.2) Use this method to make the stack easy countable. If the stack is not countable, the stack will be refused.



### How to stack functional CC Container shelves

- Step 1: Put 4 functional posts in a functional base.
- Step 2: Stack up to a maximum of 30 shelves on a stack.

