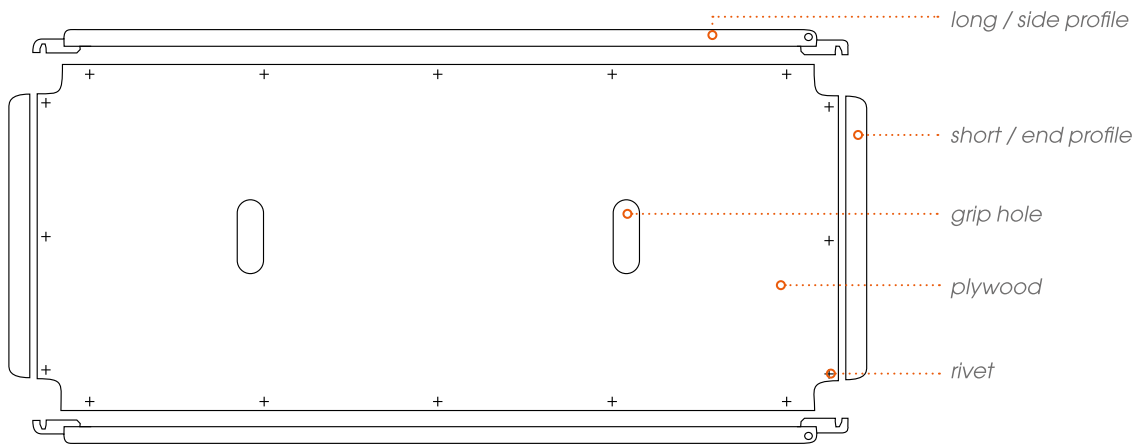
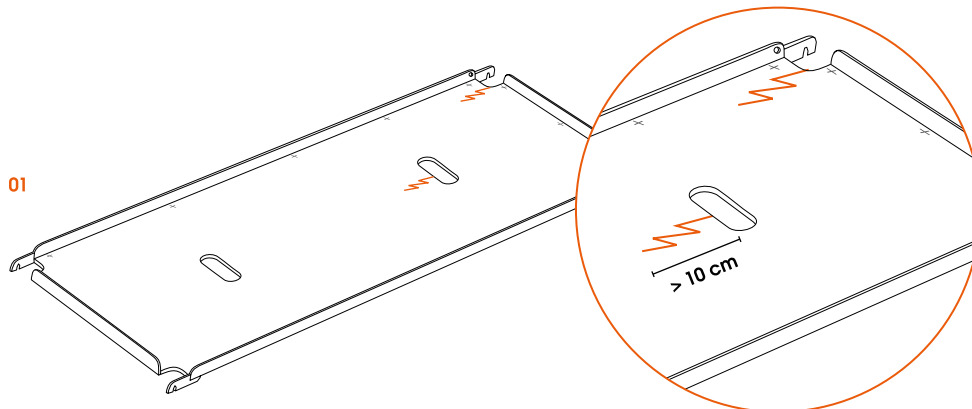


Instruction functional/non-functional CC wooden shelf

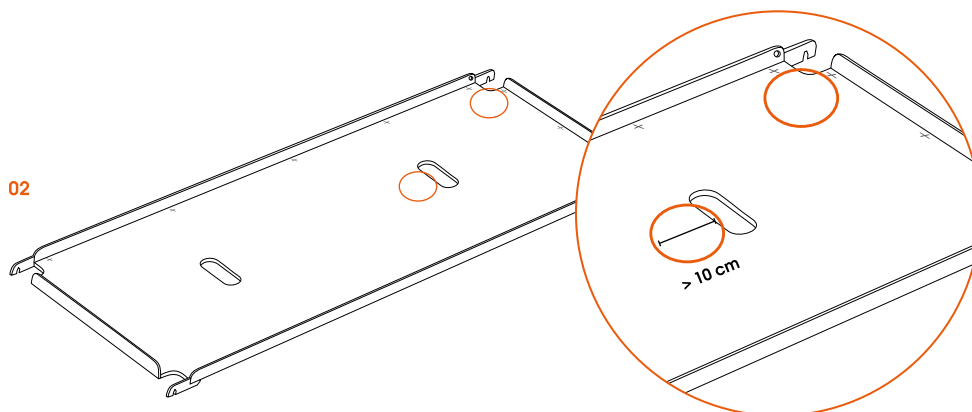


Non-functional shelves can be handed in at a CC depot or partner depot for repair and exchanged for a functional shelf.

When is a shelf non-functional?



The shelf has a crack larger than 10 cm.



The shelf has a hole with a diameter larger than 10 cm.

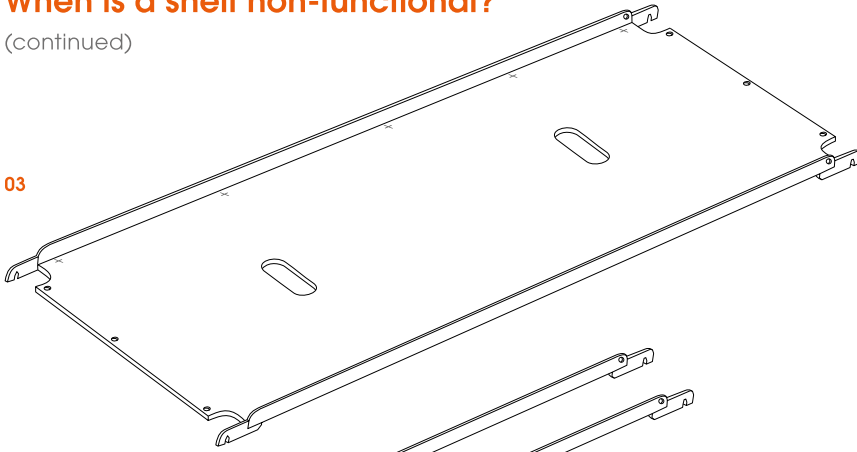


One team, one dream

When is a shelf non-functional?

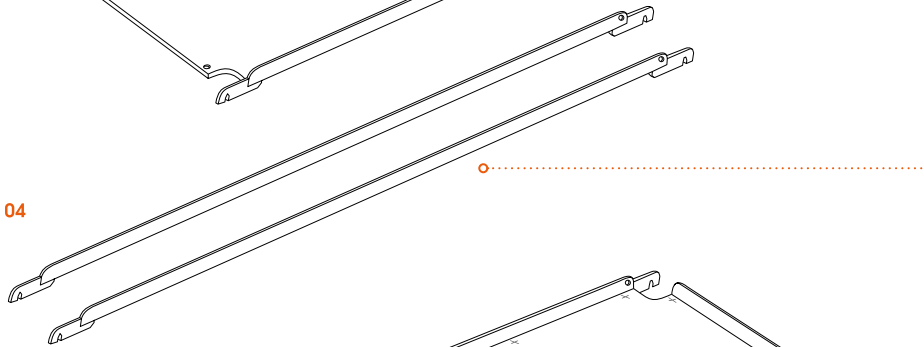
(continued)

03



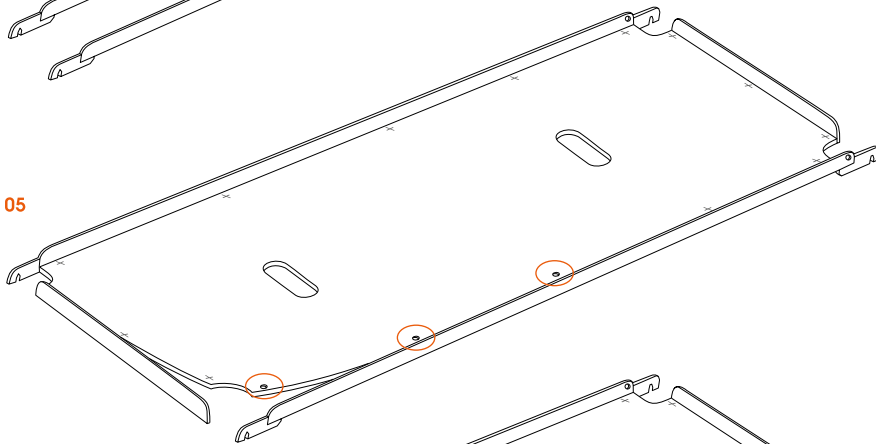
One or both short / end profiles are missing.

04



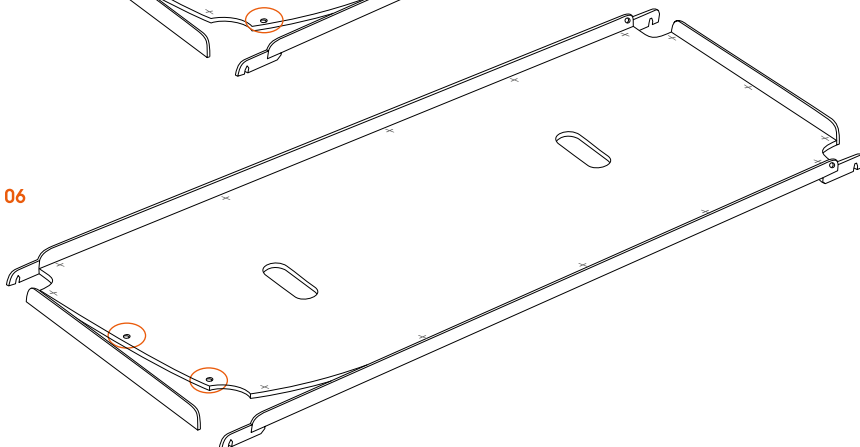
Plywood and short / end profiles are missing.
Two long / side profiles can be exchanged for a functional shelf.

05



More than 3 rivets are detached (long / side profile).

06



The middle rivet and one other rivet are detached (short / end profile).

When is a shelf not accepted for exchange?

Shelves can not be handed in at a CC depot, nor partner depot for repair, nor exchanged for a functional shelf when:

- The shelf is functional.
- The shelf is not made out of plywood.
- The profiles of the shelf exceed the width of a standard CC profile.
- Long / side profiles can not be re-used for repair.
This is the case when the profile is rusted, thinner than 6.5 mm or doesn't have any rivet holes.



One team, one dream